

Drain: JOHN OSBORN DRAIN **Drain #:** 162
Improvement/Arm: KINGSMILL - SECTION 5
Operator: JDH **Date:** 6-3-04
Drain Classification: Urban/Rural **Year Installed:** 1998

GIS Drain Input Checklist

- Pull Source Documents for Scanning JDH
- Digitize & Attribute Tile Drains N/A
- Digitize & Attribute Storm Drains JDH
- Digitize & Attribute SSD JDH
- Digitize & Attribute Open Ditch N/A
- Stamp Plans JDH
- Sum drain lengths & Validate JDH
- Enter Improvements into Posse JDH
- Enter Drain Age into Posse JDH
- Sum drain length for Watershed in Posse JDH
- Check Database entries for errors JDH

**Gasb 34 Footages for Historical Cost
Drain Length Log**

Drain-Improvement: Kingsmill Drain: Kingsmill Sec. 5

Drain Type:	Size:	Length	Length (DB Query)	Length Reconcile	If Applicable	
					Price:	Cost:
SSD	6"	3,738.54'	1,312.54'	-2,426'	1356.54	
RCP	15"	337'	∅	-337'		
	18"	447'	∅	-447'		
	21"	84'	∅	-84'		
	24"	285'	∅	-285'		
	27"	168'	∅	-168'		

Sum: 5,059.54' 1,312.54' -3,747'

Final Report: _____

Comments:
ALL PIPE LENGTH OVERAGES ARE PLACED IN KINGSMILL SECTION 5 - SPRINGMILL RUN GRAIN

Kingsmill - Section 5

Bonds: SIN044554 = \$79,000.00

Total bond amount split 2 ways:

John Osborn drain	1,312.54'
Springmill Run drain	<u>3,590'</u>
Total Footage	4,902.54'

John Osborn drain:
 $1312.54 / 4902.54 = 0.27 = 27\%$

Springmill Run drain:
 $3590 / 4902.54 = 0.73 = 73\%$

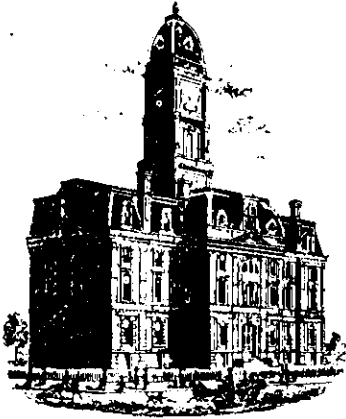
$27 + 73 = 100$

Cost Per Improvement:

John Osborn drain:
 $79,000.00 * 27\% = \$21,330.00$

Springmill Run drain:
 $79,000.00 * 73\% = \$57,670.00$

$\$21,330.00 + \$57,670.00 = \$79,000.00$



SURVEYOR'S OFFICE

Hamilton County

Kenton C. Ward, Surveyor

Phone (317) 776-8495

Fax (317) 776-9628

Suite 146

One Hamilton County Square

Noblesville, Indiana 46060-2230

TO: HAMILTON COUNTY DRAINAGE BOARD

Jan 12, 1998

RE: John Osborn Drain-Kingsmill, Section 5 Arm

Attached is a petition, non-enforcement request, plans, calculations, quantity summary and assessment roll for the **Kingsmill Section 5 Arm, John Osborn Drain**. I have reviewed the submittals and petition and have found each to be in proper form.

I have made a personal inspection of the land described in the petition. Upon doing so, I believe that the drain is practicable; will improve the public health; benefit a public highway and be of public utility; and that the costs, damages and expenses of the proposed drain will probably be less than the benefits accruing to the owners of land likely to be benefited. The drain will consist of the following:

6" SSD	1686 ft	21" RCP	84 ft
15" RCP	337 ft	24" RCP	285 ft
18" RCP	447 ft	27" RCP	168 ft

The total length of the drain will be 3007 feet.

The subsurface drains (SSD) to be part of the regulated drain are those located under the curbs. Only the main SSD lines which are located within the right of way are to be maintained as regulated drain. Laterals for individual lots will not be considered part of the regulated drain.

I have reviewed the plans and believe the drain will benefit each lot equally. Therefore, I recommend each lot be assessed equally. I also believe that no damages will result to landowners by the construction of this drain. I recommend a maintenance assessment of \$25.00 per lot, \$2.00 per acre for roadways with a \$25.00 minimum. With this assessment the total annual assessment for this drain/this section will be \$ 650⁰⁰.

Parcels assessed for this drain may be assessed for the Williams Creek, Springmill Run or Collins-Osborn Drain at sometime in the future.

I believe this proposed drain meets the requirements for Urban Drain Classification as set out in IC 36-9-27-67 to 69. Therefore, this drain shall be designated as an Urban Drain.

I recommend that upon approval of the above proposed drain that the Board also approve the attached non-enforcement request. This request is for the reduction of the regulated drain easement to those easement widths as shown on the secondary plat for Kingsmill, Section 5 Arm as recorded in the office of the Hamilton County Recorder.

I recommend the board set a hearing for this proposed drain for February 1998.

Kenton C. Ward
Hamilton County Surveyor

FINDINGS AND ORDER

CONCERNING THE MAINTENANCE OF THE

Kingsmill-5 John Osborn DRAIN

On this 23rd day of February 19 98 the Hamilton County Drainage Board has held a hearing on the Maintenance Report and Schedule of Assessments of the John Osborn Drain-Kingsmill Section 5

Evidence has been heard. Objections were presented and considered. The Board then adopted the original/amended Schedule of Assessments. The Board now finds that the annual maintenance assessments will be less than the benefits to the landowners and issues this order declaring that this Maintenance Fund be established.

HAMILTON COUNTY DRAINAGE BOARD

Sharon K. Clark
President

Alan C. Dillingen
Member

Member

ATTEST: Janey Ellen O'Leary
Administrative Secretary
Revised 12/95

BEFORE THE HAMILTON COUNTY DRAINAGE BOARD

IN THE MATTER OF THE John Osborn Drain-Kingsmill Section 5

NOTICE

TO WHOM IT MAY CONCERN AND _____

Notice is hereby given of the Hearing of the Hamilton County Drainage Board on the Kingsmill Section 5 John Osborn Drain, on February 23, 1998, at 9:20 A.M. in the Commissioners's Court, Hamilton County Judicial Center, One Hamilton County Square Noblesville, Indiana and which the Maintenance Report of the Board have been filed and are available for public inspection in the Office of the Hamilton County Surveyor.

Hamilton County Drainage Board

ATTEST Nancy Ellen Oldham
Administrative Secretary

ONE TIME ONLY

BEFORE THE HAMILTON
COUNTY DRAINAGE BOARD
IN THE MATTER OF THE

Kingsmill Section 5 -John Osborn DRAIN

NOTICE

Notice is hereby given pursuant to Section 405 of the 1965 Indiana Drainage Code that this Board, prior to final adjournment has issued an order adopting the Schedule of Assessments, filed the same and made public announcement thereof at the hearing and ordered publication. If judicial review of the findings and order of the Board is not requested pursuant to Article Eight of this code within twenty (20) days from the date of this publication, the order shall be conclusive.

HAMILTON COUNTY DRAINAGE BOARD

ATTEST:


Administrative Secretary

ONE TIME ONLY



STANDBY LETTER OF CREDIT

Letter of Credit No. SIN044554

December 15, 1997

BENEFICIARY

APPLICANT

HAMILTON COUNTY DRAINAGE
BOARD
1 Hamilton County Square
Noblesville, IN 46060

KINGSMILL CORPORATION
P. O. Box 649
Carmel, IN 46032

We hereby establish our Irrevocable Letter of Credit in your favor, for the account indicated above, for the sum or sums not exceeding an aggregate amount of USD\$80,500.00 (Eighty Thousand Five Hundred U.S. Dollars.)

Funds are available by your drafts at sight drawn on National City Bank of Indiana, Indianapolis, Indiana.

Drafts are to accompanied by:

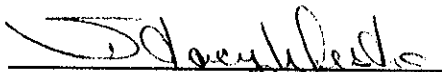
1. The original of this Letter of Credit No. SIN044554.
2. Beneficiary's signed certificate stating that "Kingsmill Corporation has failed to complete the storm sewers (\$43,000.00), subsurface drain (\$24,500.00), erosion control (\$11,500.00), and monuments and markers (\$1,500.00) in Kings Mill, Section V."

We engage with you that all draft(s) drawn under and in accordance with the terms of this Letter of Credit shall be duly honored upon presentation.

Drafts must be marked "Drawn under National City Bank of Indiana, Indianapolis, Indiana letter of credit number SIN044554." Drafts drawn under this letter of credit must be presented on or prior to the expiration date of December 15, 1998.

Except as otherwise expressly stated herein, this credit is subject to the Uniform Customs and Practice for Documentary Credits (1993 Revision), International Chamber of Commerce, Publication No. 500.

Very Truly Yours,


Letter of Credit Specialist I


Vice President

CERTIFICATE OF COMPLETION AND COMPLIANCE

FILED

NOV 00 1998

OFFICE OF HAMILTON COUNTY SURVEYOR

To: Hamilton County Surveyor

Re: Kings Mill Section Five

I hereby certify that:

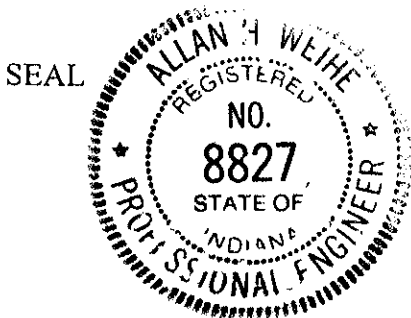
1. I am a Registered Land Surveyor or Engineer in the State of Indiana .
2. I am familiar with the plans and specifications for the above referenced subdivision .
3. I have personally observed and supervised the completion of the drainage facilities for the above referenced subdivision .
4. The drainage facilities within the above referenced subdivision to the best of my knowledge , information and belief have been installed and completed in comformity with all plans and specifications .

Signature: Allan H. Weihe Date: 11/4/98

Type or Print Name: Allan H. Weihe

Business Address: 10505 N. College Ave., Indianapolis, IN. 46280

Telephone Number: 317-846-6611



INDIANA REGISTRATION NUMBER

#8827



SURVEYOR'S OFFICE

Hamilton County

Kenton C. Ward, Surveyor

Phone (317) 776-8495

Fax (317) 776-9628

Suite 146

One Hamilton County Square

Noblesville, Indiana 46060-2230

To: Hamilton County Drainage Board

September 8, 1999

Re: John Osborne Drain: Kingsmill Sec. 5

Attached are as-builts, certificate of completion & compliance, and other information for Kingsmill Sec. 5. An inspection of the drainage facilities for this section has been made and the facilities were found to be complete and acceptable.

During construction, changes were made to the drain which will alter the plans submitted with my report for this drain dated January 12, 1998. The changes are as follows:

Structure: T.C.: I.E.: Pipe: Length: Original Plans: Difference:

# 25	894.25	890.95				
# 23	894.37	890.37	15	40		
# 24	894.4	891.1				
# 23	894.37	890.37	15	41		
# 23	894.37	890.37				
EX. STR.	893.39	888.99	15	256		
# 22	895.04	892.54				
# 21	895.36	891.55	18	175		
# 21	895.36	891.55				
# 20	895.34	891.51	18	28		
# 20	895.34	891.51				
# 19	895.86	891.16	18	43		
# 19	895.86	891.16				
# 18	893.41	889.71	18	201		
# 18	893.41	889.71				
# 17	892.24	889.64	21	84		
# 17	892.24	889.64				
# 16	892.81	888.53	24	213		
# 16	892.81	888.53				
# 15	892.44	888.14	24	72		

# 15	892.44	888.14			
EX. STR.	892.45	887.25	27	168	

6" SSD Streets:

TOPAZ LANE	546.28
ONYX DRIVE	1025.48
RUBY COURT	297.51
	X 2

Total: 3738.54

RCP Totals:

27	168
15	337
18	447
21	84
24	285

Total: 1321

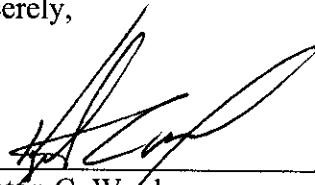
The length of the drain due to the changes described above is now ~~5,059~~^{5,059.54} feet.

The non-enforcement was approved by the Board at its meeting on February 23, 1998 and recorded under instrument #9909902294.

The bond or letter of credit from National City Bank, number SIN44554; in the amount of \$80,500.00 for storm sewers, subsurface drains, erosion control and monumentation; was released March 22, 1999.

I recommend the Board approve the drains construction as complete and acceptable.

Sincerely,



Kenton C. Ward,
Hamilton County Surveyor

KCW/slm

Asbuilt Structures

Eng. Proj #Weihe Engineers 93-1292

Project: KING'S MILL SEC. 5

Structure: T.C.: I.E.: Pipe: Length: Original Plans: Difference:

# 25	894.25	890.95				
# 23	894.37	890.37	15	40		
# 24	894.4	891.1				
# 23	894.37	890.37	15	41		
# 23	894.37	890.37				
EX. STR.	893.39	888.99	15	256		
# 22	895.04	892.54				
# 21	895.36	891.55	18	175		
# 21	895.36	891.55				
# 20	895.34	891.51	18	28		
# 20	895.34	891.51				
# 19	895.86	891.16	18	43		
# 19	895.86	891.16				
# 18	893.41	889.71	18	201		
# 18	893.41	889.71				
# 17	892.24	889.64	21	84		
# 17	892.24	889.64				
# 16	892.81	888.53	24	213		
# 16	892.81	888.53				
# 15	892.44	888.14	24	72		
# 15	892.44	888.14				
EX. STR.	892.45	887.25	27	168		

6" SSD Streets:

TOPAZ LANE	546.28
ONYX DRIVE	1025.48
RUBY COURT	297.51
	X 2

RCP Totals:

	27	168
	15	337
	18	447
	21	84
	24	285

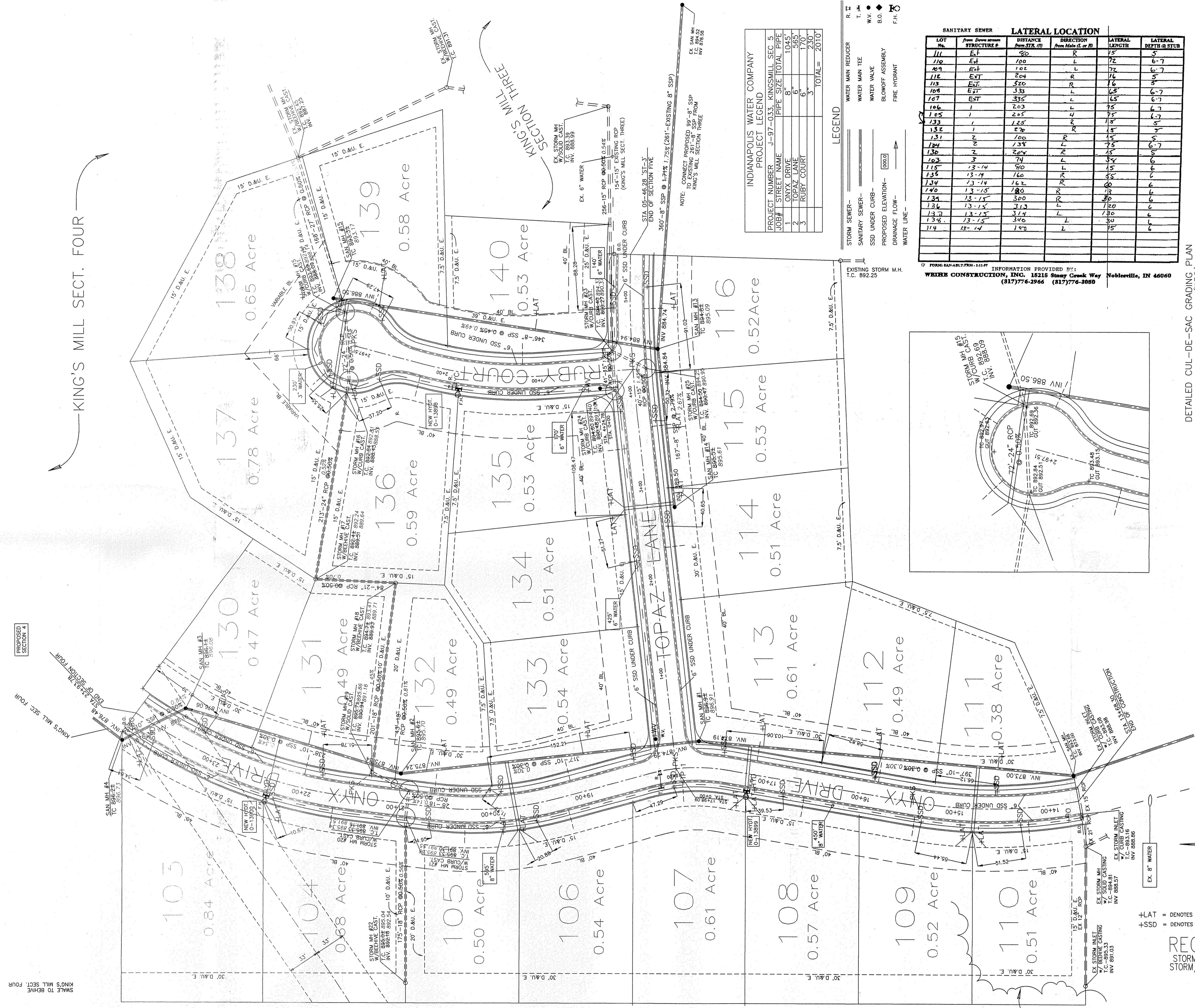
Total: 3738.54

Total: 1321

Total Length of Drain: 5,059

KINGS MILL SECTION FIVE

← KING'S MILL SECT. FOUR



INDIANAPOLIS WATER COMPANY
PROJECT LEGEND

PROJECT NUMBER	J-97-033, KINGSMILL SEC 5
JOB# / STREET NAME	PIPE SIZE / TOTAL PIPE
1 / ONYX DRIVE	8" / 1045'
2 / TOPAZ LANE	6" / 565'
3 / RUBY COURT	6" / 170'
	3" / 230'
	TOTAL = 2010'

LEGEND

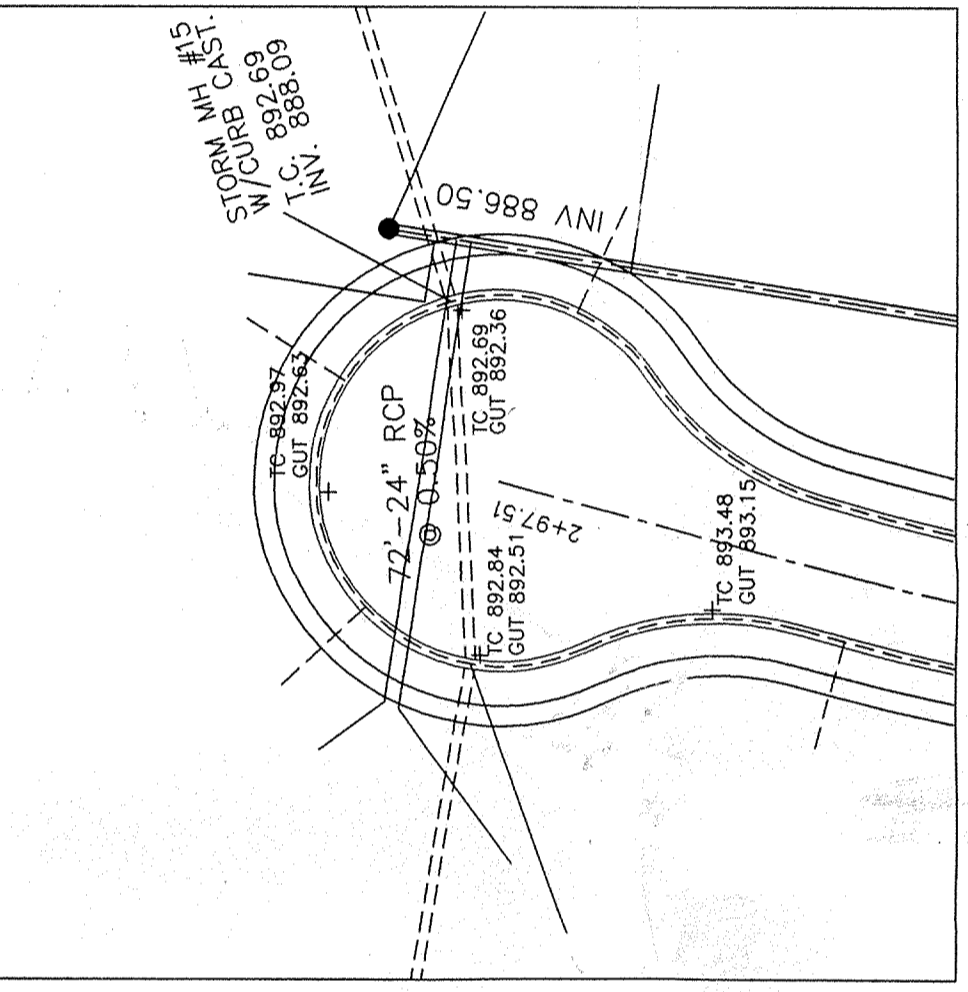
STORM SEWER	WATER MAIN REDUCER	R.I.
SANITARY SEWER	WATER MAIN TEE	T.A.
SSD UNDER CURB	WATER VALVE	W.V.
PROPOSED ELEVATION	BLOWOFF ASSEMBLY	B.O.
DRAINAGE FLOW	FIRE HYDRANT	F.H.
WATER LINE		

SANITARY SEWER LATERAL LOCATION

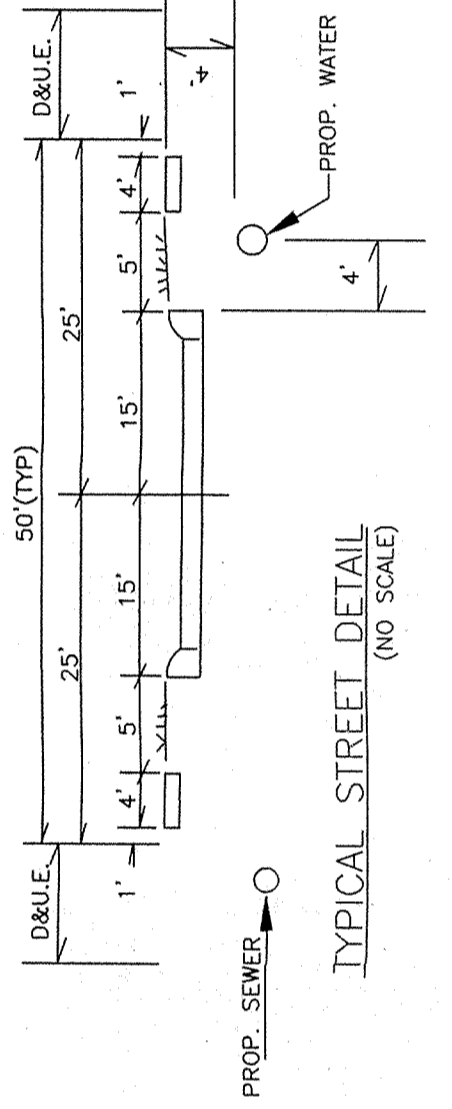
LOT No.	From Down stream STRUCTURE #	DISTANCE From STA. 0+	DIRECTION From Manhole or ID.	LATERAL LENGTH	LATERAL DEPTH @ STUB
111	E-1	90	R	15	5
110	E-1	100	L	12	6-7
109	E-1	102	R	7	6-7
112	E-1	204	R	16	5
108	E-1	220	R	12	6-7
107	E-1	335	R	15	6-7
106	E-1	203	R	15	6-7
105	1	205	L	15	6-7
133	1	125	R	15	5
132	1	278	R	15	5
131	2	100	R	15	5
124	2	131	R	15	5
123	2	267	R	15	5
115	13-14	90	L	15	6
135	13-14	160	R	15	6
134	13-14	162	R	15	6
140	13-15	180	R	15	6
137	13-15	320	R	15	6
136	13-15	314	L	15	6
134	13-15	314	L	15	6
114	13-14	152	L	15	6

This information was gathered for this project in Hamilton County, Georgia. It is the responsibility of the user to verify that the information is correct. The information is provided as a record of the survey.

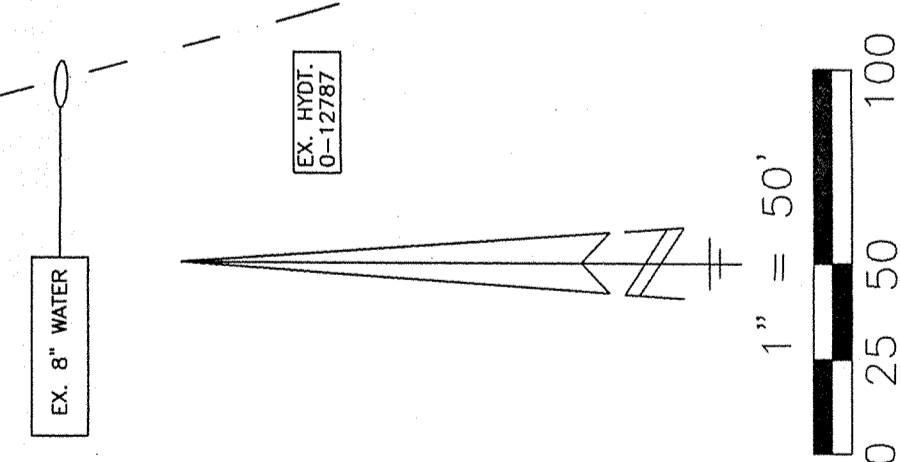
Entry Date: 6-27-99
Entered by: JSH



DETAILED CUL-DE-SAC GRADING PLAN (N.T.S.)

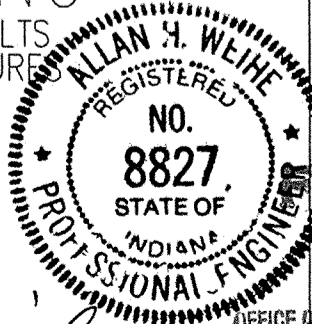


TYPICAL STREET DETAIL (NO SCALE)



+LAT = DENOTES RECORD DRAWING SANITARY SEWER LATERAL LOCATION
 +SSD = DENOTES RECORD DRAWING SUBSURFACE DRAIN LATERAL LOCATION

RECORD DRAWING
 STORM/SANITARY SEWER AS-BUILTS
 STORM/SANITARY SEWER STRUCTURES
 NOVEMBER 03, 1998



Allan H. Weihe
 ALLAN H. WEIHE-REG. P.E.-IN #8827

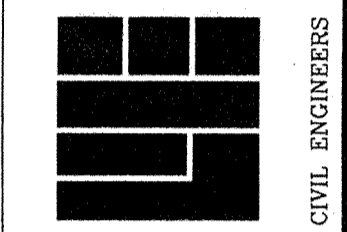
THE KINGS MILL DEV. CORP.
 KING'S MILL SECTION 5
 DEVELOPMENT PLAN

NOV 06 1998

OFFICE OF HAMILTON COUNTY SURVEYOR

WEIHE ENGINEERS, INC.
 10605 N. COLLEGE AVE., INDIANAPOLIS, IN 46290
 (317) 776-2966 FAX: (317) 843-0546

ALLAN H. WEIHE, P.E., L.S.
 MICHAEL L. DUBOY, L.S.
 VICE - PRESIDENT

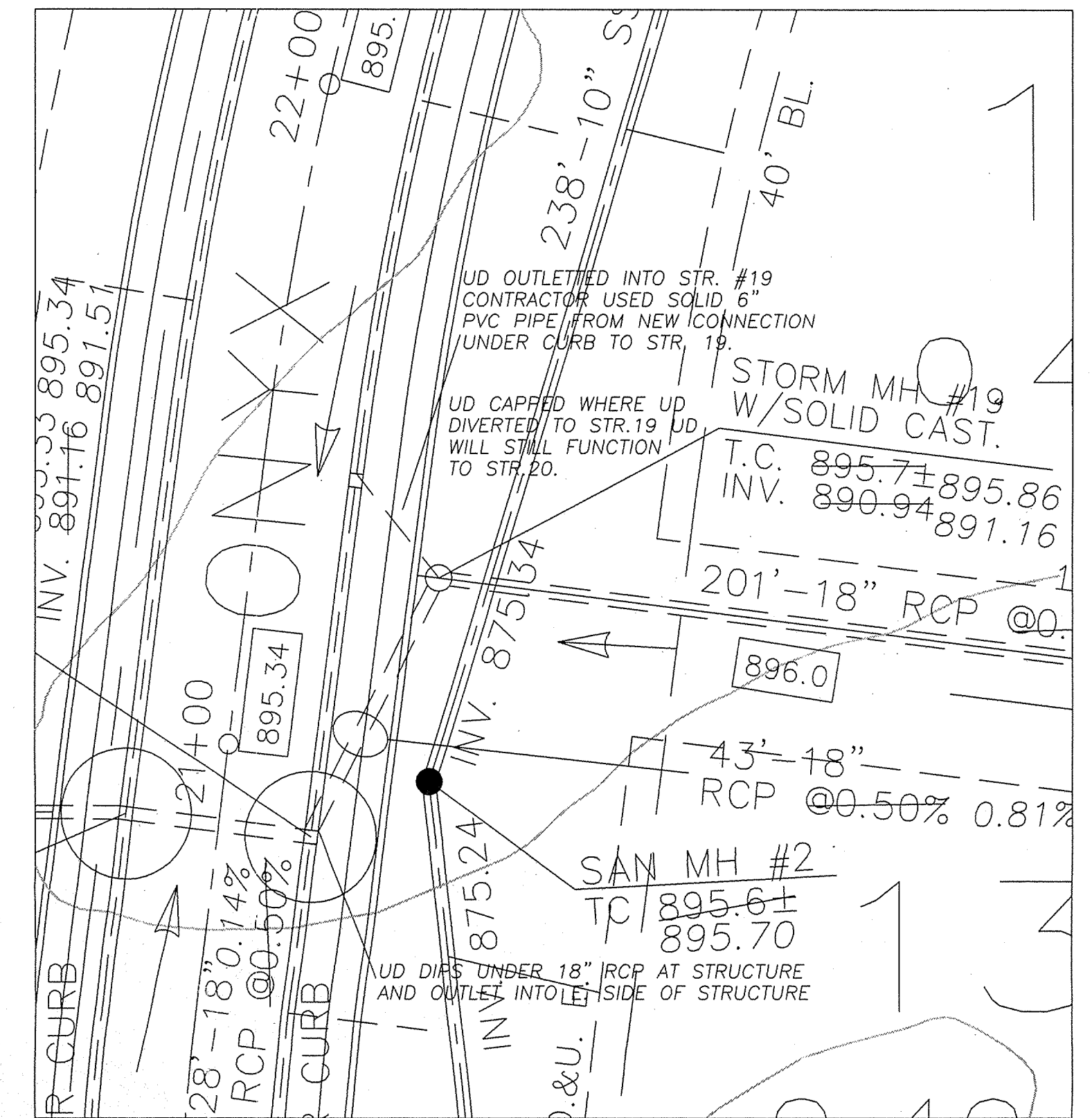


REVISIONS

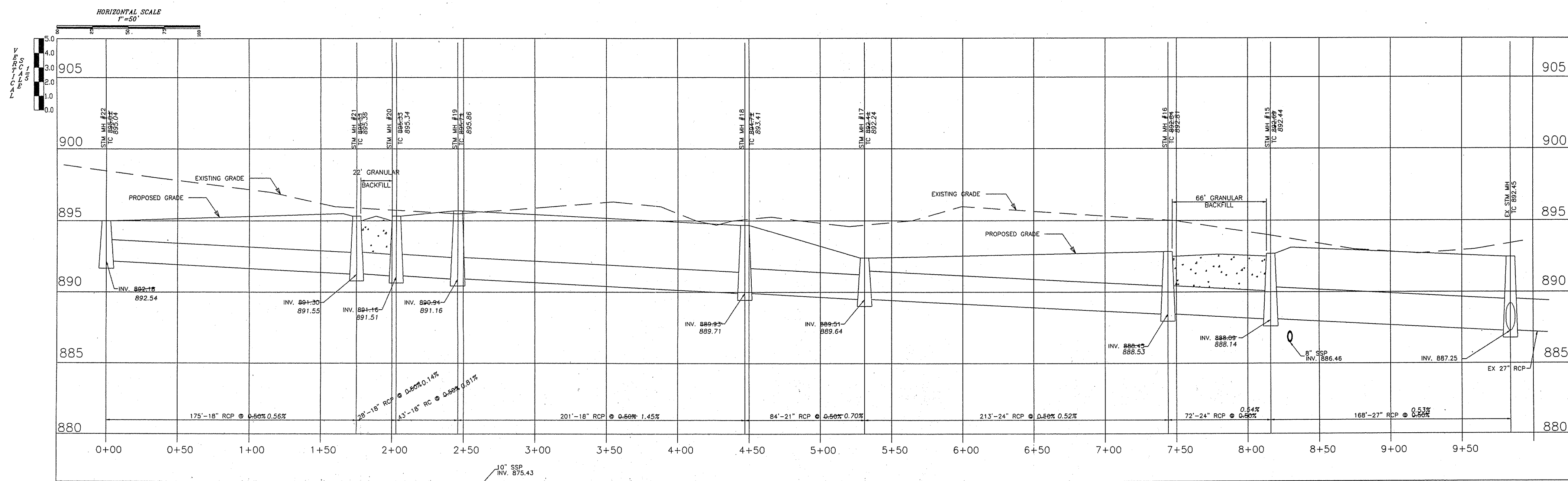
DATE	BY	REVISIONS
5-1-98	CH	INVERT CORRECTIONS SAN. MH #14
5-1-98	CH	JOB DWG.#
4-21-97	SAS	LOT DIMENSIONS ADDED PER HAM. CO. SURVEYOR
11-21-97	IBB	STORM/SANITARY AS-BUILTS
11-06-96	MB	CHECKED BY:

JOB NO. 1222
 JOB DWG.# 1222-SLWG
 DRAWN BY: JSH
 CHECKED BY: CHW
 DATE: 10-11-96

CIVIL ENGINEERS
 LAND PLANNERS
 LAND SURVEYORS
 LANDSCAPE ARCHITECTS



SPECIAL SUMP DETAIL AT STORM MANHOLE #19 SCALE 1:20

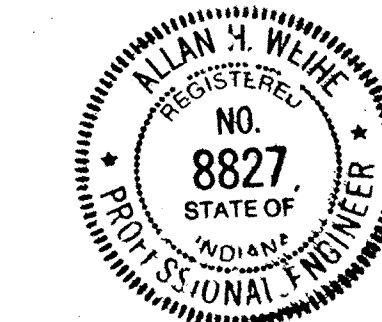
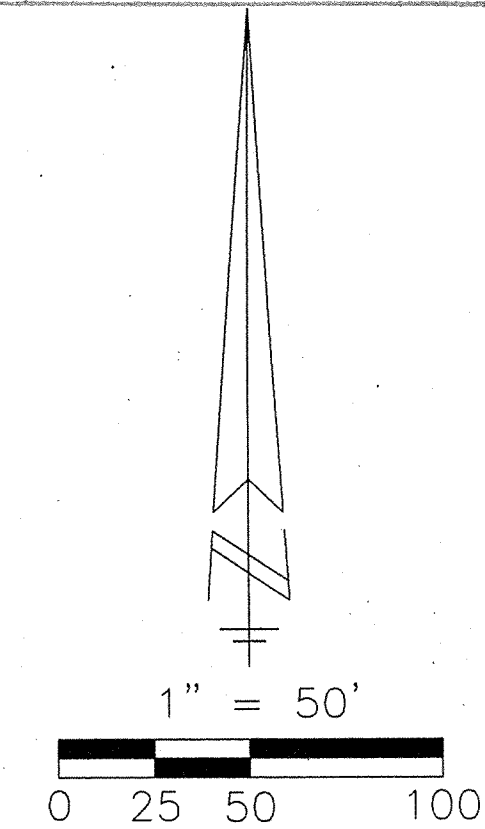


HAMILTON COUNTY INDIANA 1825

This information was gathered for input into the Hamilton County Geographical Information System. This information is considered an "as-recorded" of the GIS.

Entry Date: 6-3-04

Entered by: JPH



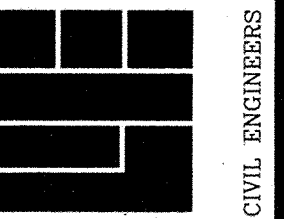
RECORD DRAWING
STORM SEWER AS-BUILTS
STORM SEWER STRUCTURES ONLY
NOVEMBER 03, 1998

ALLAN H. WEIHE
REG. P.E. - IN #8827

FILED NOV 0 1998
OFFICE OF HAMILTON COUNTY SURVEYOR

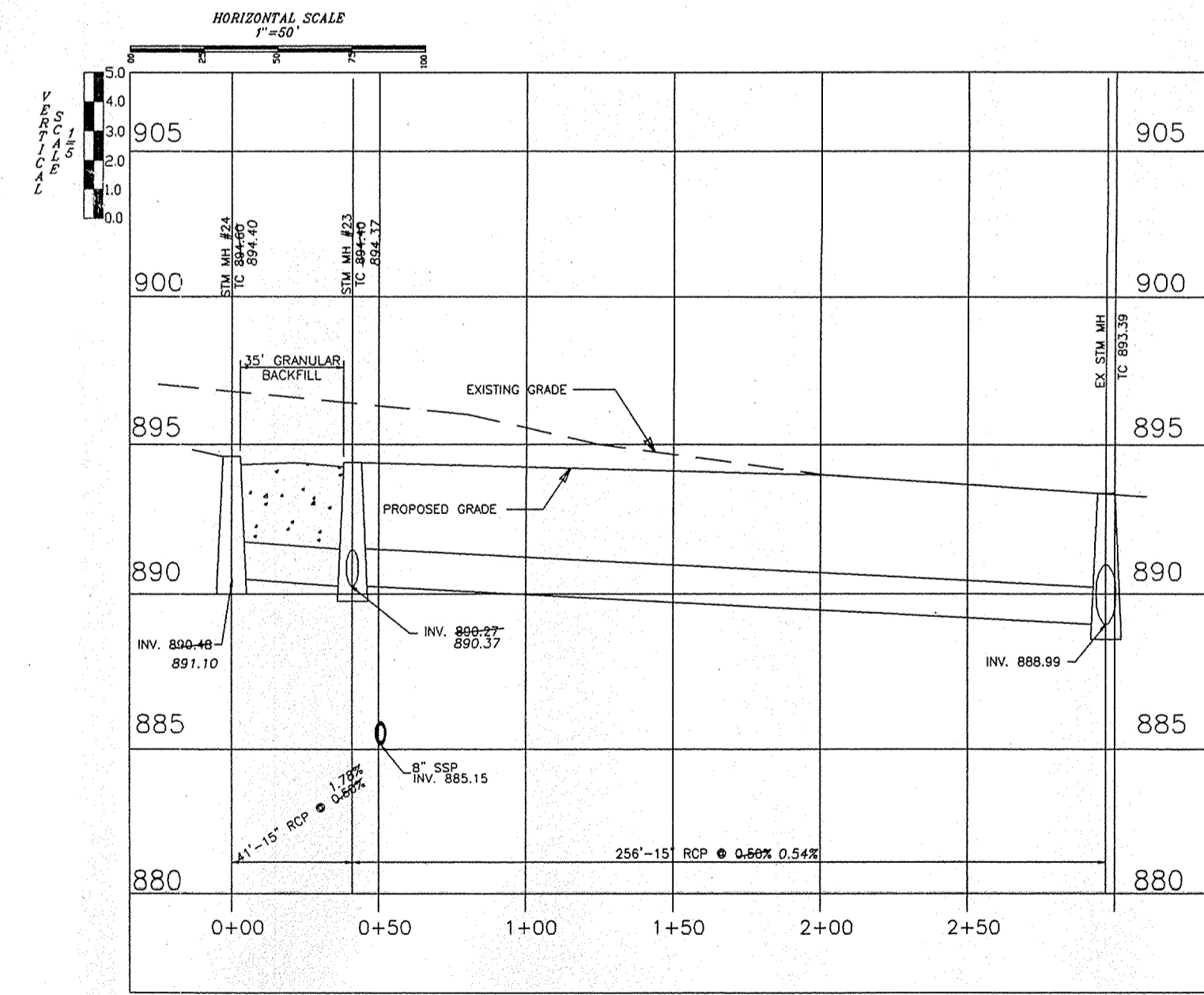
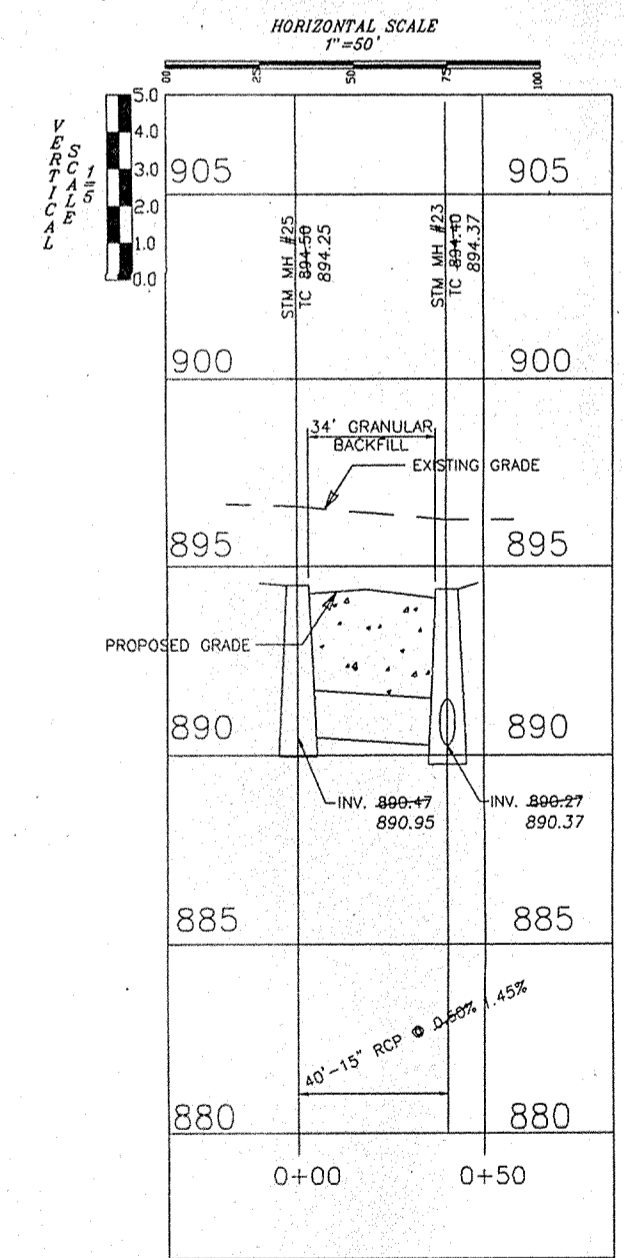
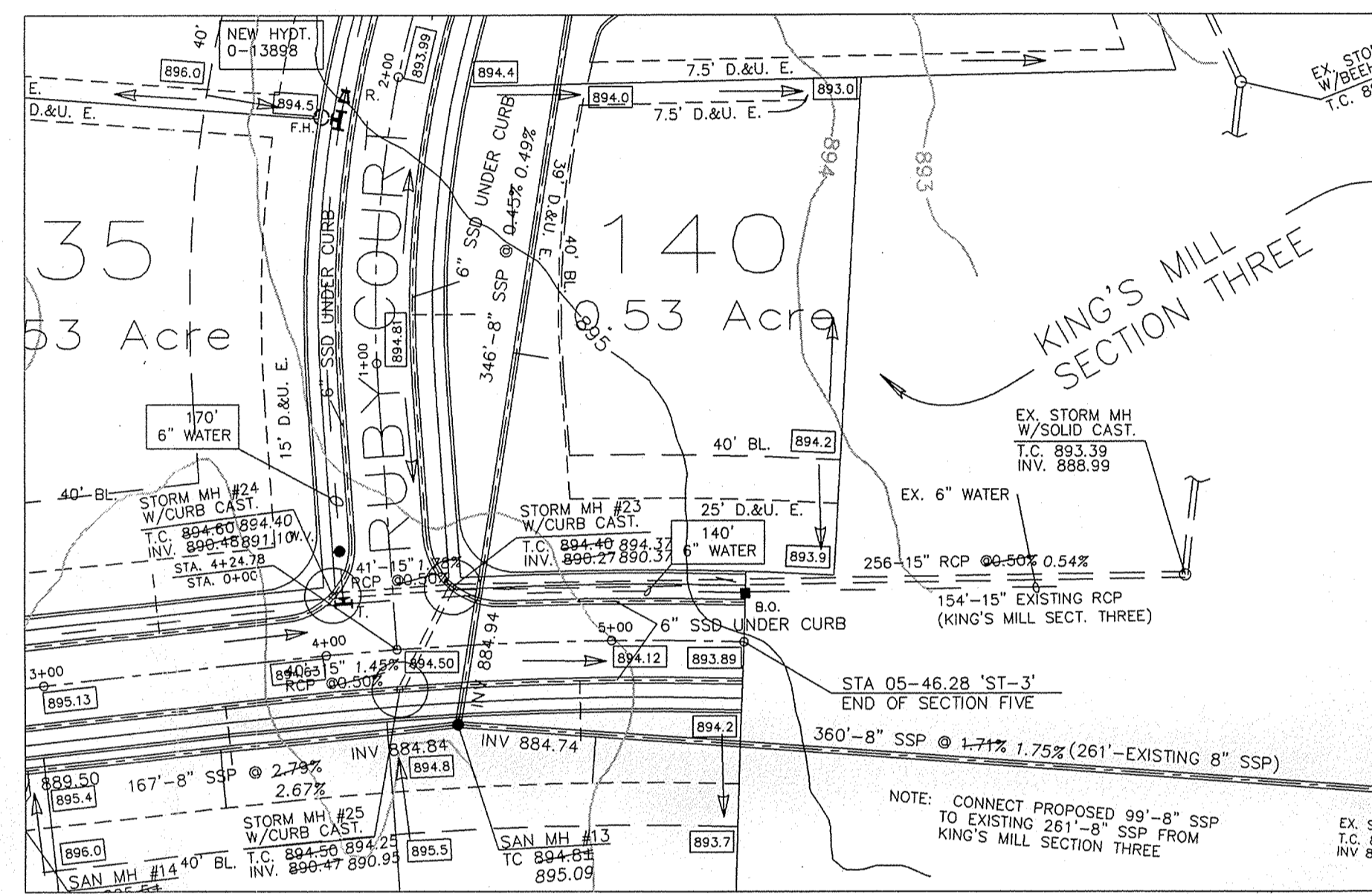
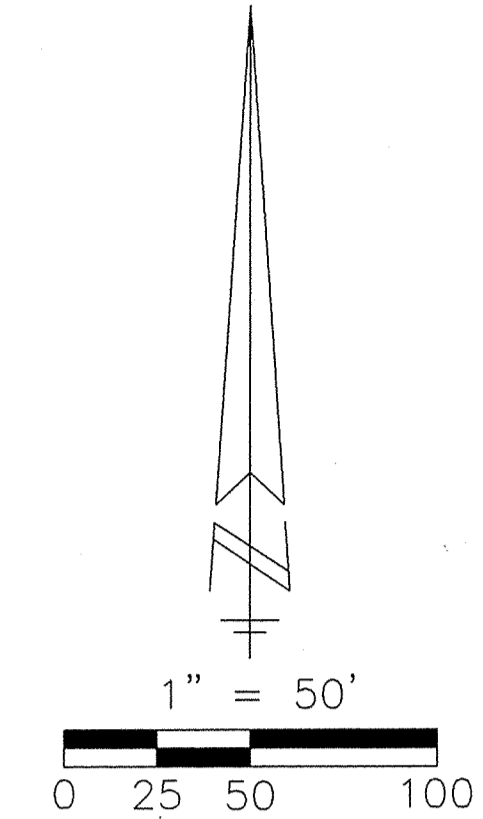
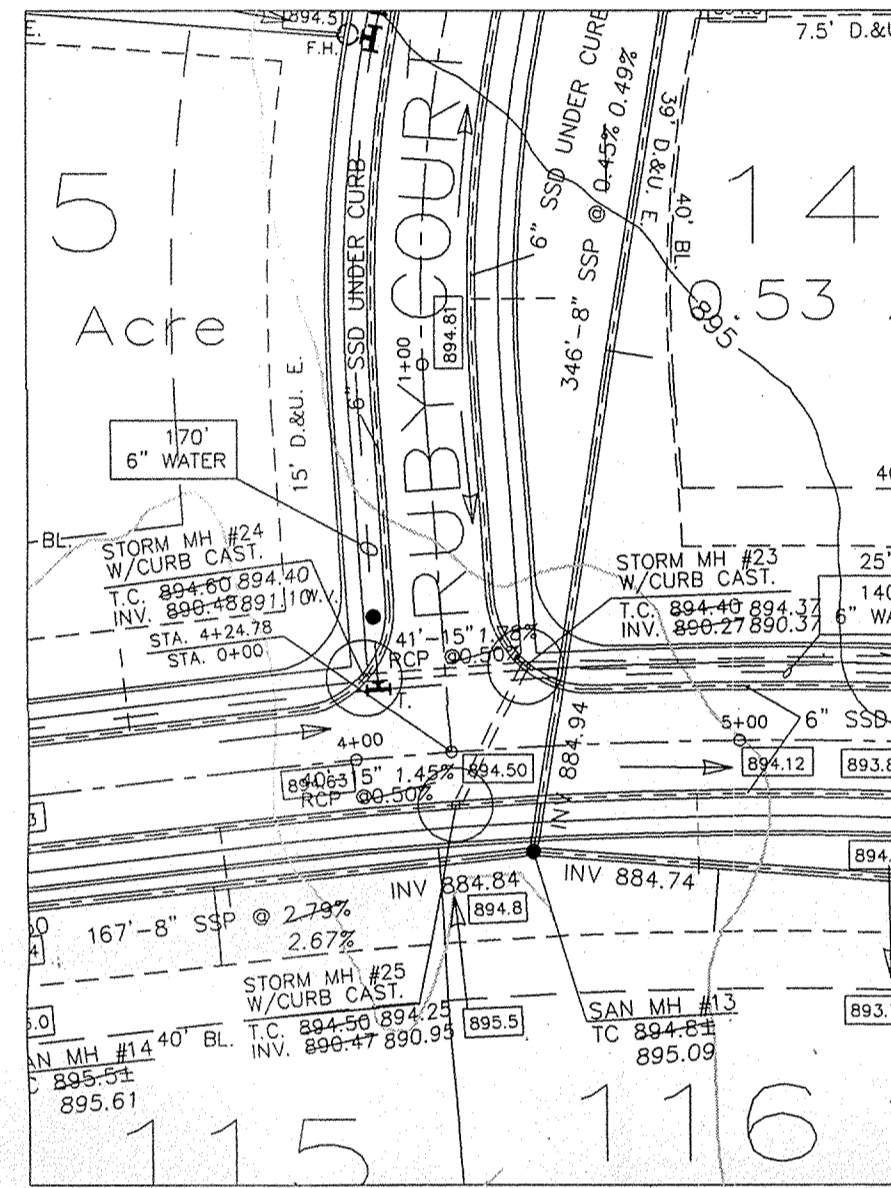
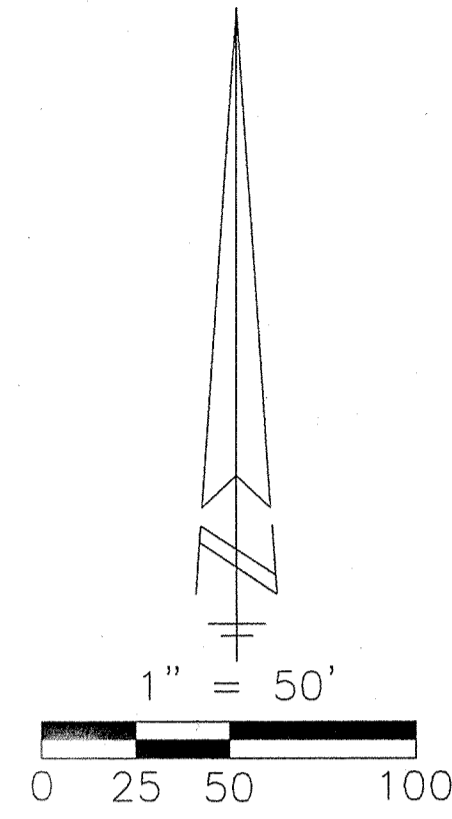
THE KINGS MILL DEV. CORP.
KING'S MILL SECTION 5
STORM SEWER PLAN & PROFILE

WEIHE ENGINEERS, INC.
ALLAN H. WEIHE, P.E., L.S.
PRESIDENT
MICHAEL L. DUBOY, L.S.
VICE - PRESIDENT
LAND PLANNERS
LAND SURVEYORS
CIVIL ENGINEERS
LANDSCAPE ARCHITECTS



JOB NO. 93-1292
JOB DWG. STORM
DRAWN BY: CBH
CHECKED BY: JPH
P.L. J.C. J.C.B.P.
DATE 04-11-98

REVISIONS
STORM/SANITARY AS-BUILTS

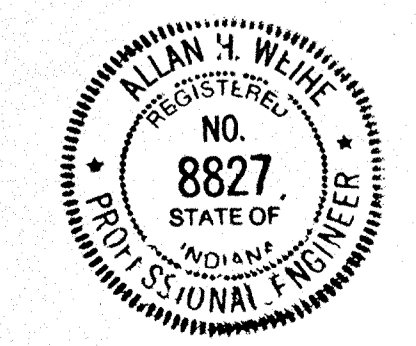


HAMILTON COUNTY
INDIANA

This information was gathered for input into the Hamilton County Geographical Information System. This document is considered an official record of the GIS.

Entry Date: 6-3-04

Entered by: JDH



RECORD DRAWING
STORM SEWER AS-BUILTS
STORM SEWER STRUCTURES ONLY
NOVEMBER 03, 1998

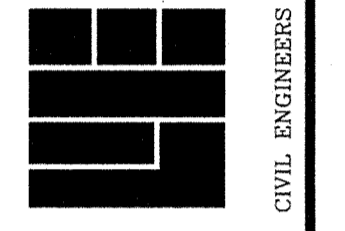
NOV 06 1998
OFFICE OF HAMILTON COUNTY SURVEYOR

ALLAN H. WEIHE - REG. P.E. - IN #8827

WEIHE ENGINEERS, INC.
10505 N. COLLEGE AVE., INDIANAPOLIS, IN 46290
(317) 843-0546
FAX: (317) 843-0546

ALAN H. WEIHE, P.E., L.S.
ALLAN H. WEIHE, P.E., L.S.
MICHAEL L. DARBY, L.S.
VICE - PRESIDENT

LANDSCAPE ARCHITECTS
LAND PLANNERS
CIVIL ENGINEERS
LAND SURVEYORS



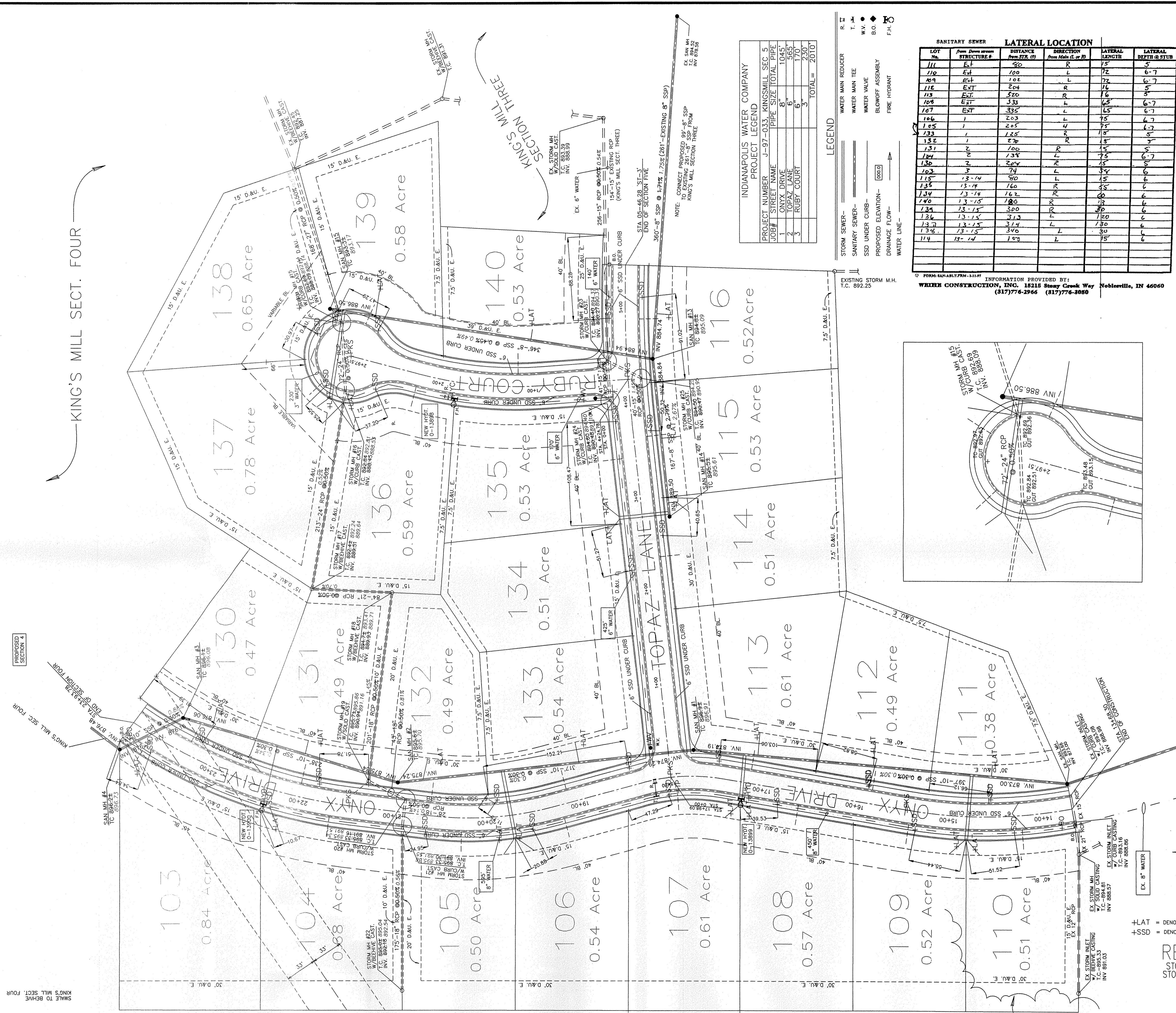
JOB NO. 192
JOB DATE 12/23/98
DRAWN BY
CHECKED BY
P.E. NO. CHECK
DATE 04-11-99

DATE 03-11-98

REVISIONS
STORM/SANITARY AS-BUILTS

THE KINGS MILL DEV. CORP.
KING'S MILL SECTION 5
STORM SEWER PLAN & PROFILE

KINGS MILL SECTION FIVE

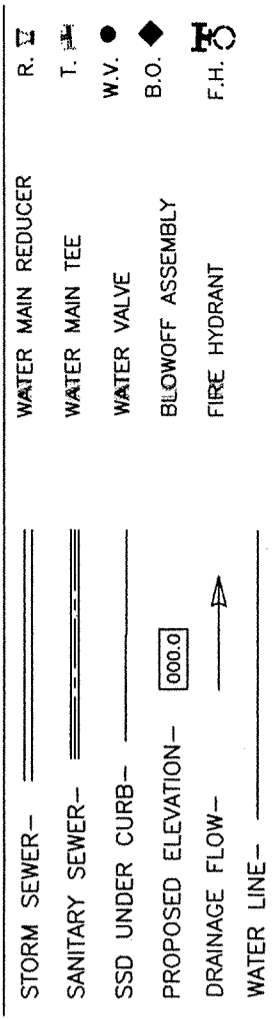


KING'S MILL SECT. FOUR

KING'S MILL SECT. THREE

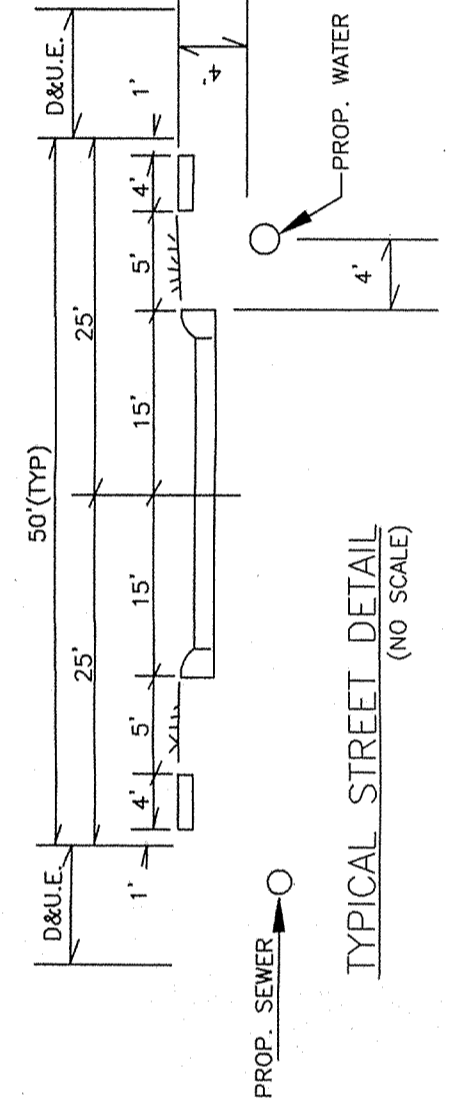
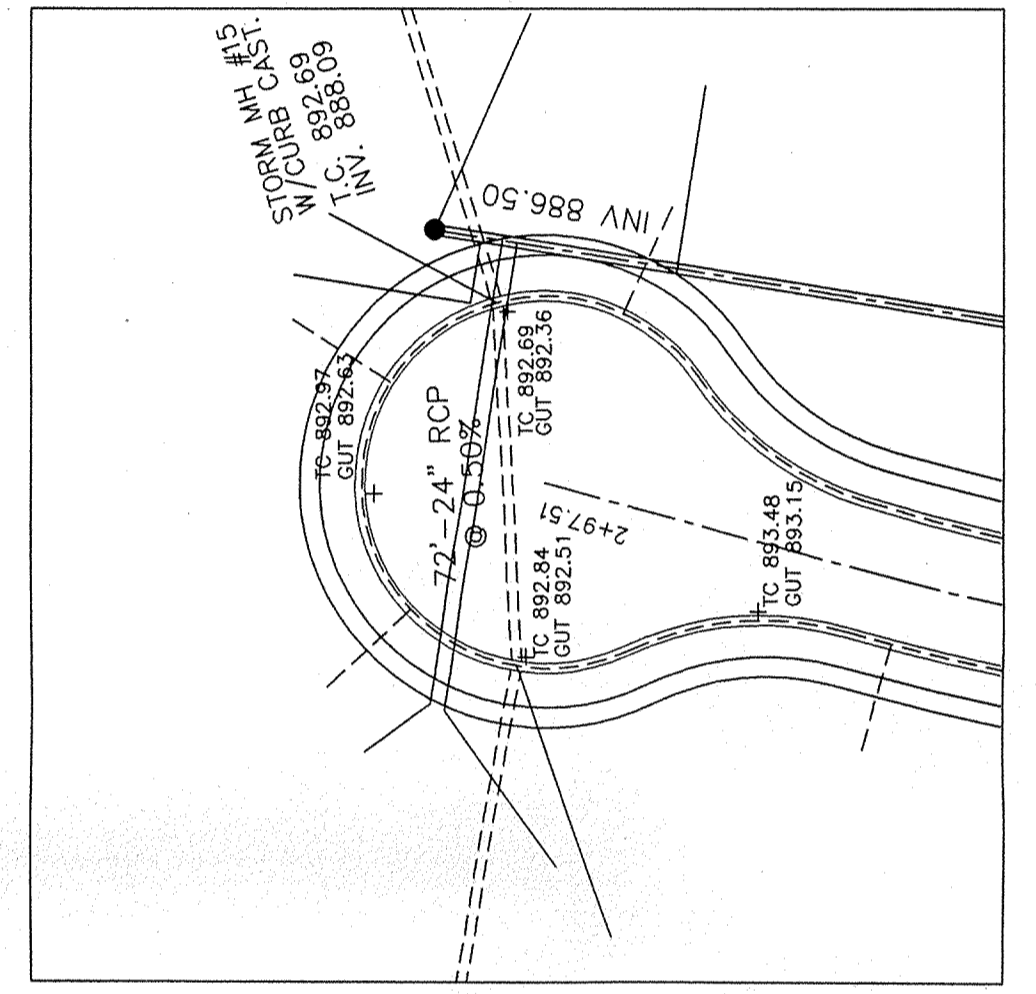
INDIANAPOLIS WATER COMPANY
PROJECT LEGEND

PROJECT NUMBER	J-97-033, KINGS MILL SEC. 5
LOBBY STREET NAME	PIPE SIZE TOTAL PIPE
1	8"
2	6"
3	6"
	170
	230
	TOTAL= 2010



SANITARY SEWER		LATERAL LOCATION			
LOT No.	From Down stream STRUCTURE #	DISTANCE From M.H. (L or R)	DIRECTION From Main (L or R)	LATERAL LENGTH	LATERAL FEET @ STUB
111	EXT	500	L	75	5
110	EXT	100	L	72	6-7
109	EXT	100	L	72	6-7
112	EXT	204	R	74	5
113	EXT	520	R	76	5-7
104	EXT	333	L	65	6-7
107	EXT	335	L	65	6-7
106	EXT	503	L	75	5
105	EXT	225	L	75	6-7
133	EXT	125	R	75	6-7
132	EXT	270	R	75	5
131	EXT	100	R	75	5
130	EXT	134	R	75	6-7
129	EXT	274	R	75	6-7
103	EXT	74	R	75	6-7
115	EXT	50	L	75	6
135	EXT	160	R	75	6
134	EXT	162	R	75	6
140	EXT	780	R	75	6
134	EXT	300	R	75	6
134	EXT	312	R	75	6
134	EXT	314	R	75	6
134	EXT	310	R	75	6
114	EXT	150	L	75	6

FORM 64-AR-177M-611-97 INFORMATION PROVIDED BY:
WRIER CONSTRUCTION, INC. 15215 Stony Creek Way Noblesville, IN 46060
(317)776-2966 (317)776-2050



HLAT = DENOTES RECORD DRAWING SANITARY SEWER LATERAL LOCATION
+SSD = DENOTES RECORD DRAWING SUBSURFACE DRAIN LATERAL LOCATION

RECORD DRAWING
STORM/SANITARY SEWER AS-BUILTS
STORM/SANITARY SEWER STRUCTURES
NOVEMBER 03, 1998



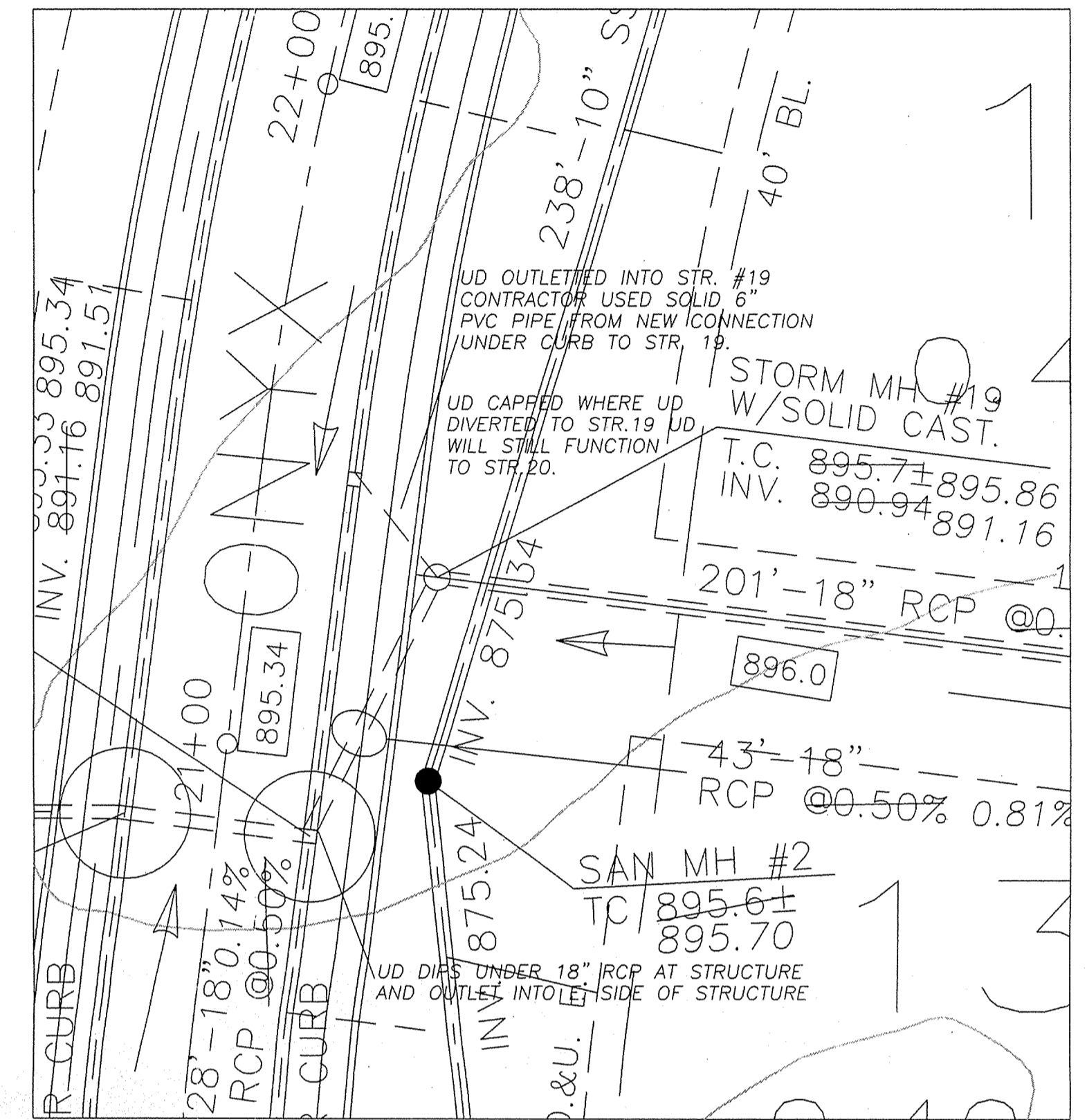
Allan H. Weihe
ALLAN H. WEIHE-REG. P.E.-IN #8827

THE KINGS MILL DEV. CORP.
KING'S MILL SECTION 5
DEVELOPMENT PLAN

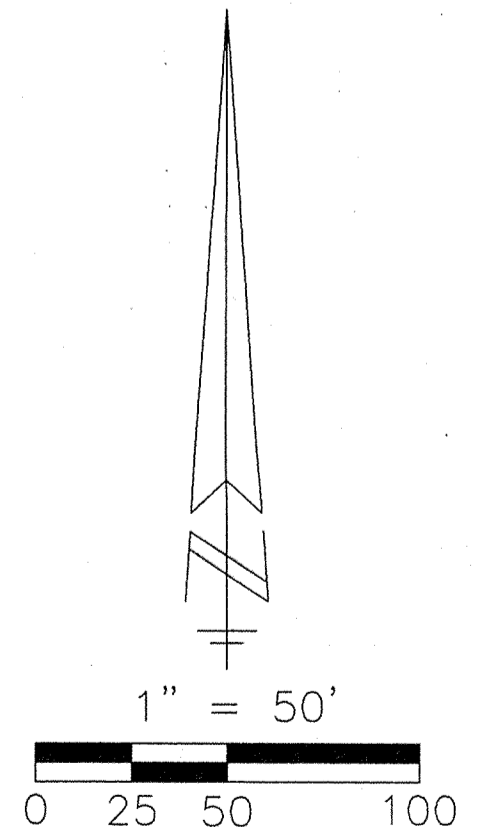
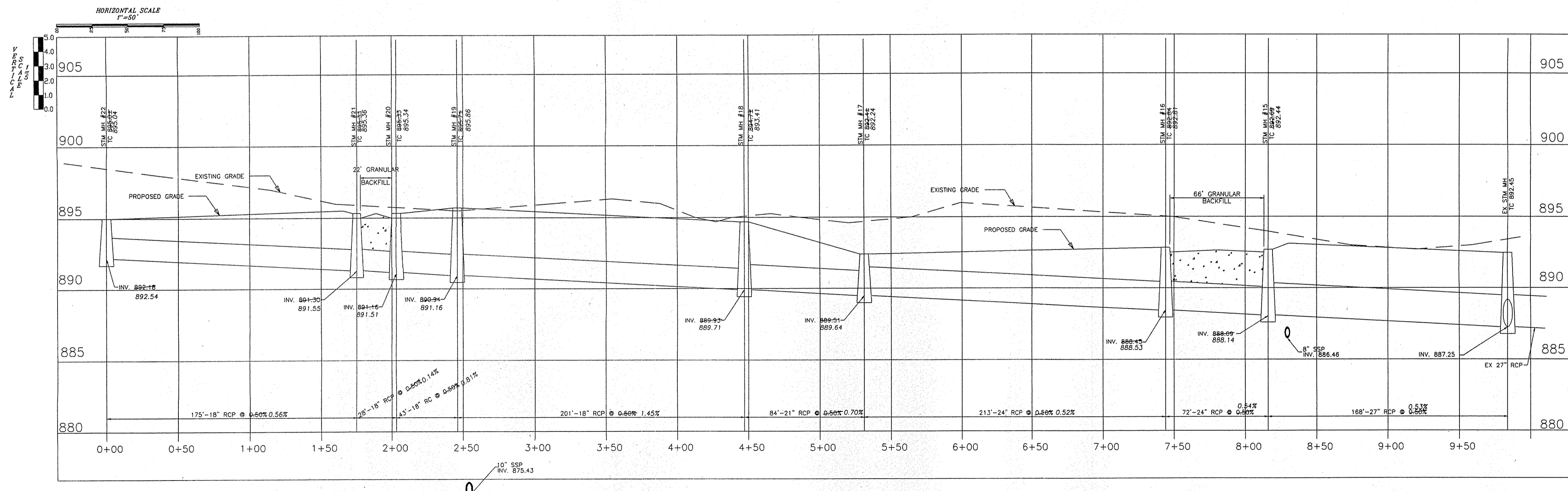
REVISIONS

DATE	BY	JOB NO.
5-1-98	CH	93-1292
2-7-97	TC	
11-21-97	CH	
11-09-98	CH	

WEIHE ENGINEERS, INC.
ALLAN H. WEIHE, P.E., L.S.
PRESIDENT
MICHAEL L. DEBOY, L.S.
VICE - PRESIDENT
10505 N. COLLEGE AVE., INDIANAPOLIS, IN 46290
(317) 946-6611 FAX: (317) 943-0646
LAND SURVEYORS
LAND PLANNERS
CIVIL ENGINEERS
LANDSCAPE ARCHITECTS



SPECIAL SUMP DETAIL AT STORM MANHOLE #19 SCALE 1:20



RECORD DRAWING
STORM SEWER AS-BUILTS
NOVEMBER 03, 1998



NOV 06 1998
OFFICE OF HAMILTON COUNTY SURVEYOR
ALLAN H. WEIHE - REG. P.E. - IN #8827

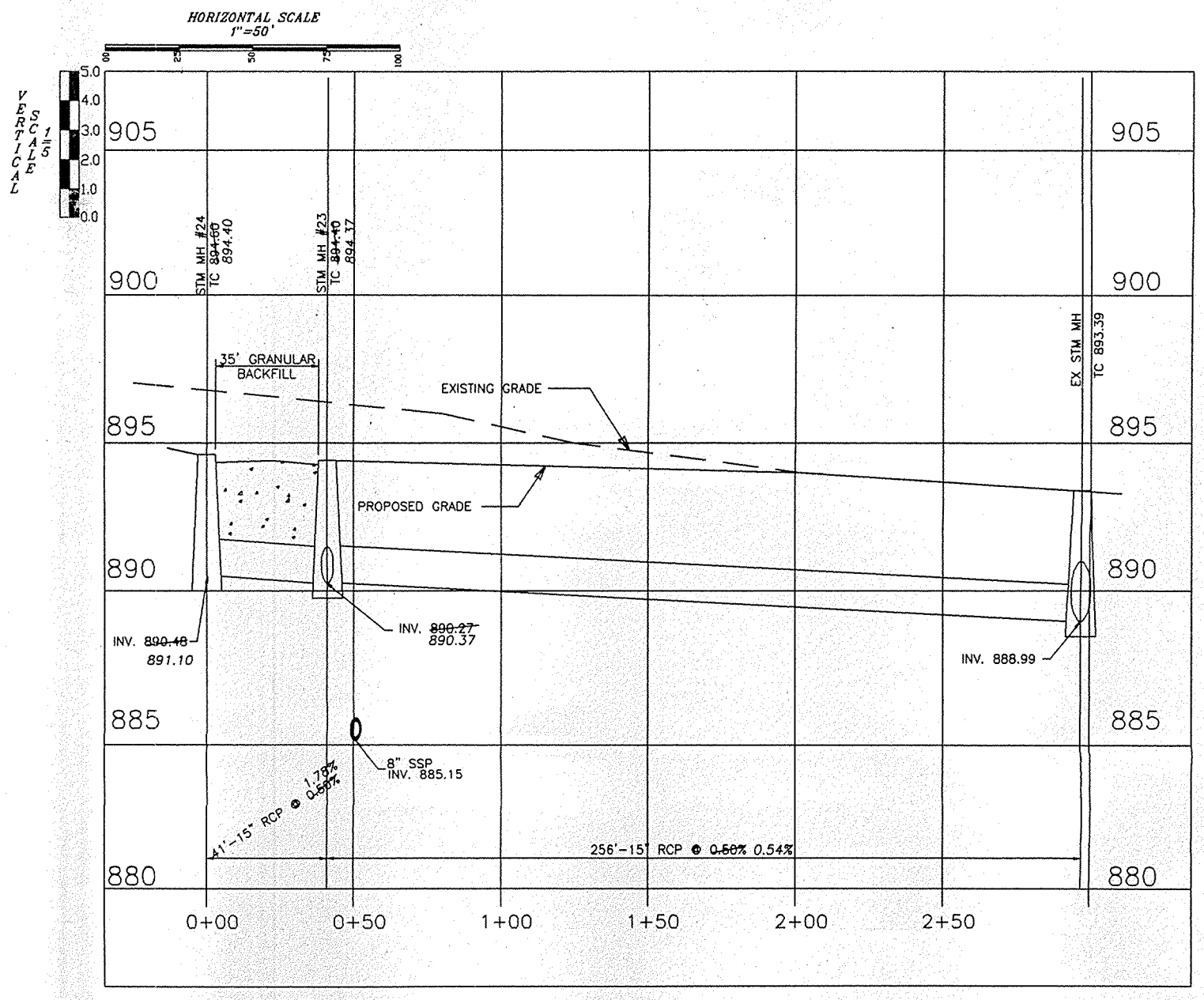
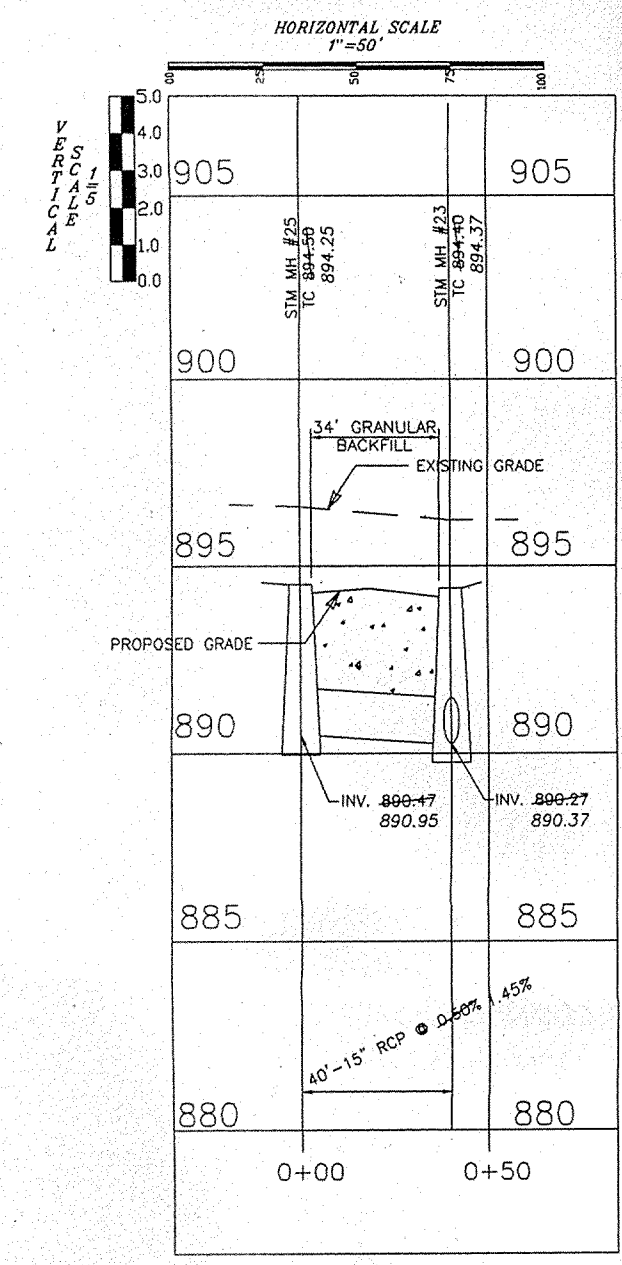
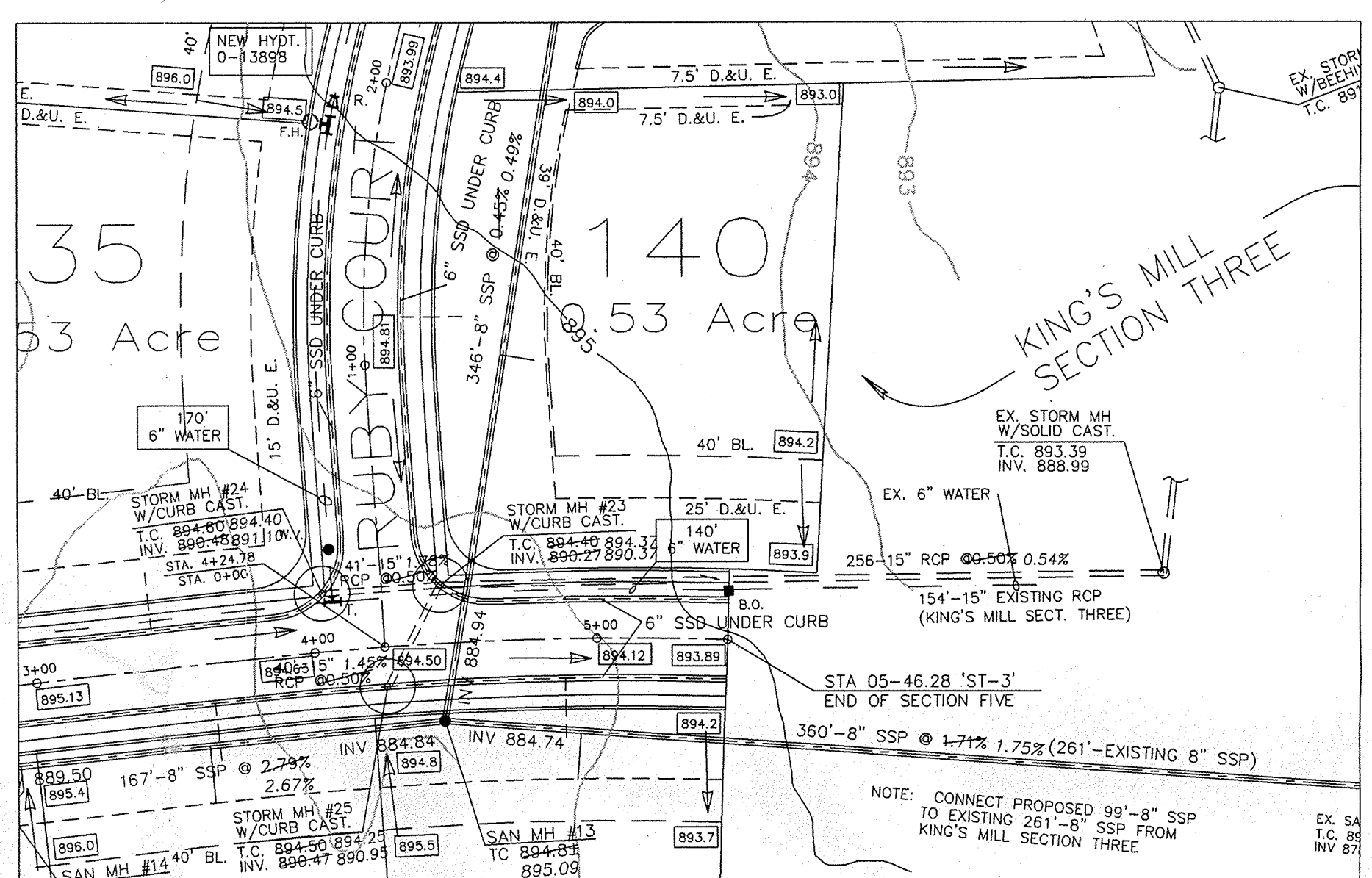
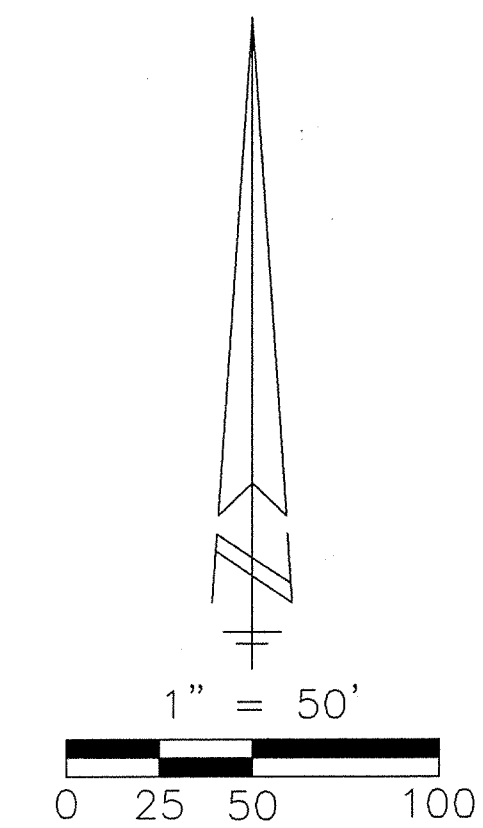
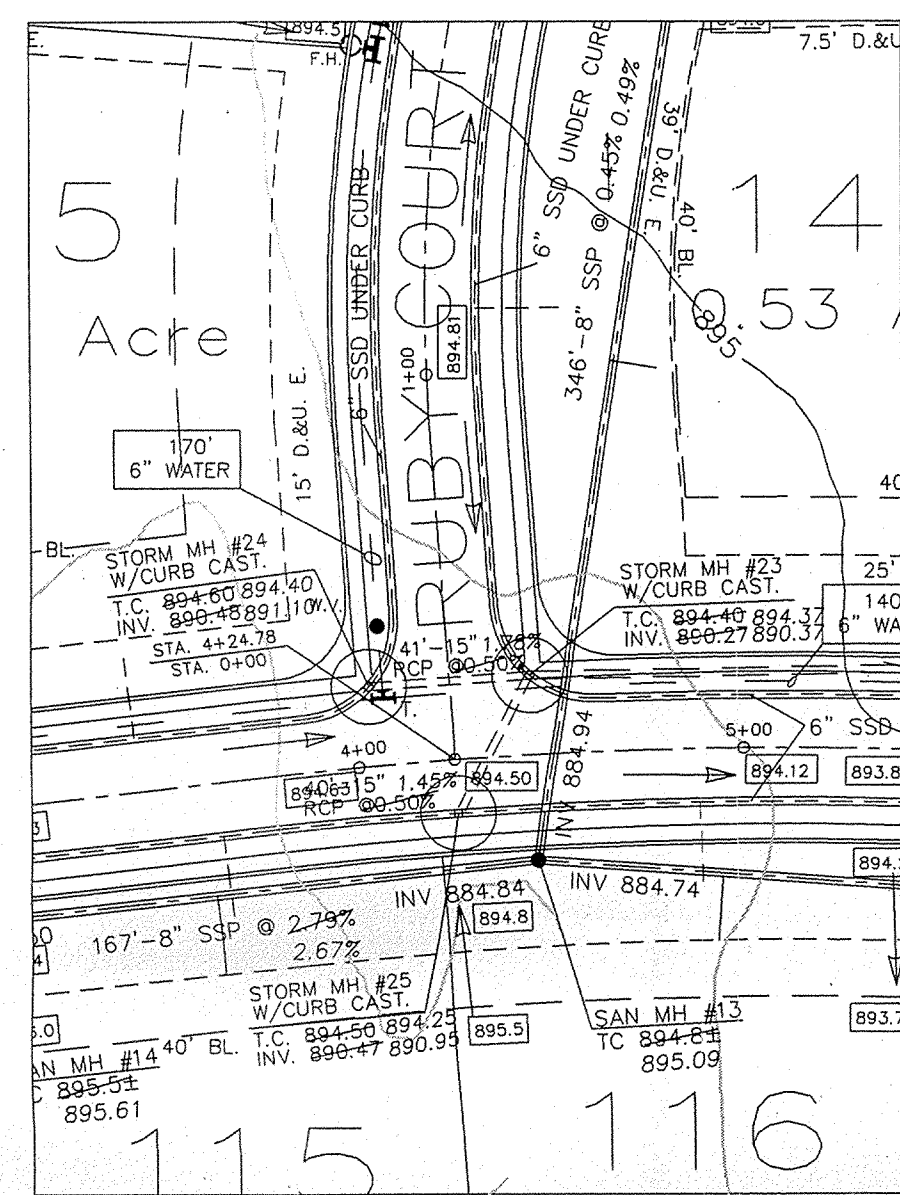
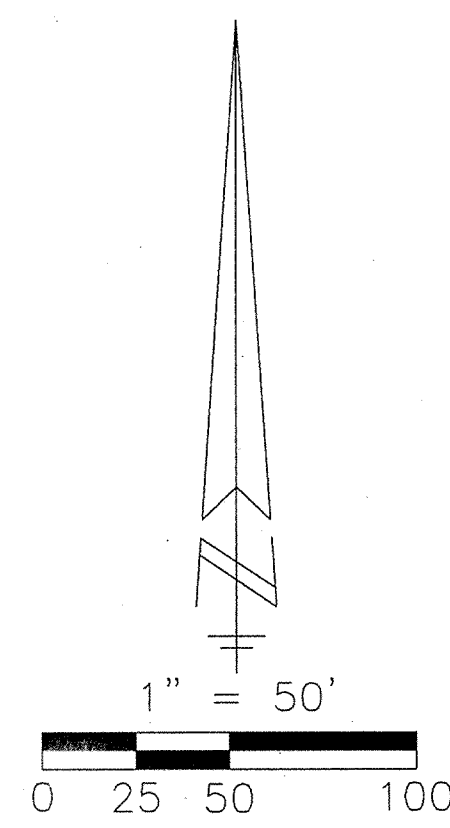
WEIHE ENGINEERS, INC.
10695 N. GARDNER AVE., INDIANAPOLIS, IN 46280
PRESIDENT - MICHAEL L. DEBOY, L.S.
VICE - PRESIDENT - MICHAEL L. DEBOY, L.S.
FAX: (317) 843-0546

DATE: 03-11-98
BY: MW
JOB NO.: 03-1292
JOB TIT.: STORM SEWER AS-BUILTS
DRAWN BY: J. W. WILSON
CHECKED BY: J. W. WILSON
DATE: 04-11-98

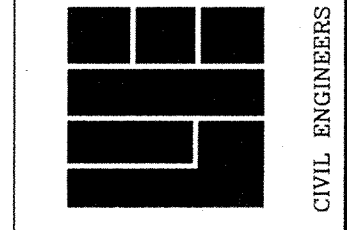
REVISIONS
Storm Sewer AS-BUILTS

THE KINGS MILL DEV. CORP.
KING'S MILL SECTION 5
STORM SEWER PLAN & PROFILE

PREPARED FOR:
SHEET NO. 7
NOV 06 1998
OFFICE OF HAMILTON COUNTY SURVEYOR



WEIHE ENGINEERS, INC.
 ALLAN H. WEIHE, P.E., L.S.
 PRESIDENT
 10505 N. COLLEGE AVE., INDIANAPOLIS, IN 46280
 PHONE: (317) 843-6408
 FAX: (317) 843-0548
 VICE - PRESIDENT



JOB NO. 93-1792
 DATE 03-11-98
 DRAWN BY: M.V.
 CHECKED BY: C.H.
 P.E. P.C. C.H.M.
 DATE 04-11-98

REVISIONS
 STORM/SANITARY AS-BUILTS

THE KINGS MILL DEV. CORP.
 KING'S MILL SECTION 5
STORM SEWER PLAN & PROFILE



RECORD DRAWING
 STORM SEWER AS-BUILTS
 STORM SEWER STRUCTURES ONLY
 NOVEMBER 03, 1998

NOV 06 1998
 OFFICE OF HAMILTON COUNTY SURVEYOR
 8
 OF 13